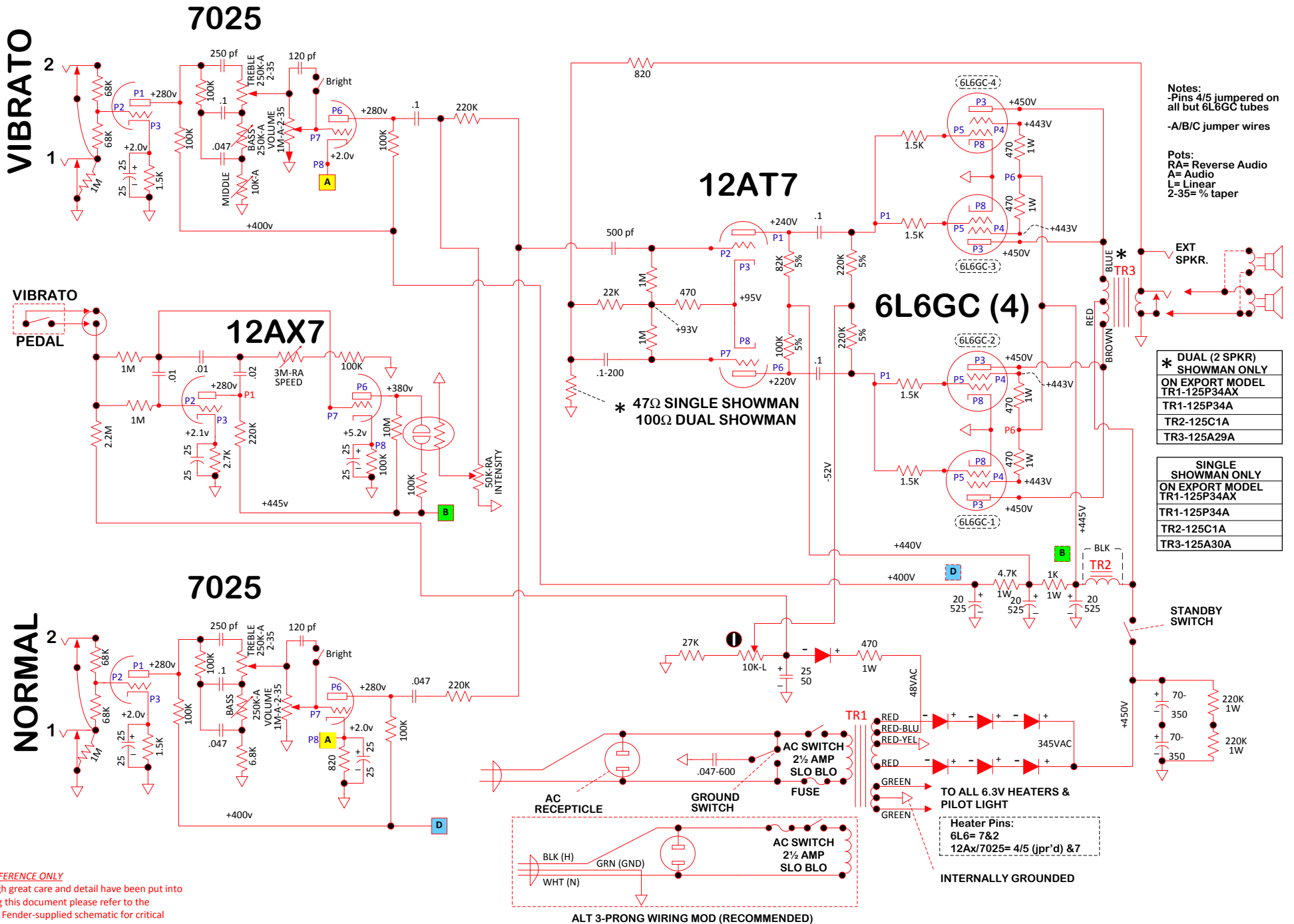


# FENDER SHOWMAN-AMP AB763 SCHEMATIC



**FOR REFERENCE ONLY**  
 Although great care and detail have been put into creating this document please refer to the original Fender-supplied schematic for critical repairs.  
 Not responsible for damages.